



*Together, improving life*

**GORE® TAG®**

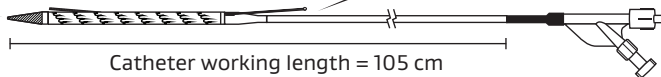
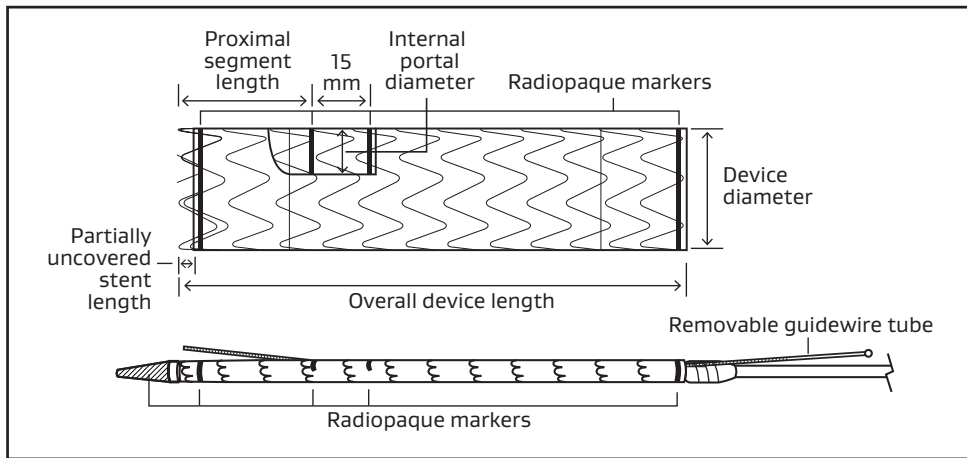
Thoracic Branch Endoprosthesis

# DEVICE SIZING POCKET REFERENCE GUIDE



# GORE® TAG® Thoracic Branch Endoprosthesis

## Aortic component and aortic component delivery system



# GORE® TAG® Thoracic Branch Endoprosthesis with 8 mm portal

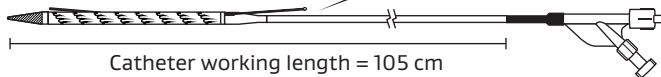
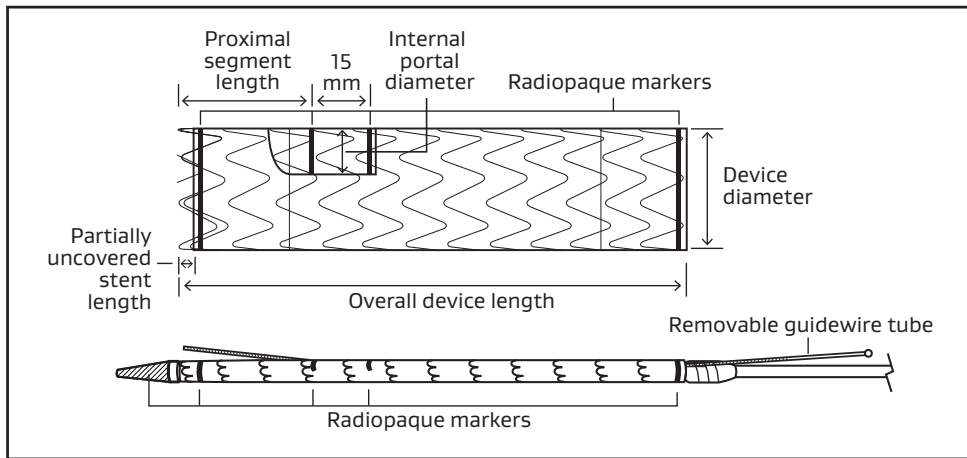
## Aortic component and aortic component delivery system

### Device dimensions and sizing requirements

| Catalogue number | Device diameter (mm) | Intended aortic diameters (mm) | Internal portal diameter (mm) | Proximal segment length (mm) | Proximal covered length (mm) | Partially uncovered stent length (mm) | Overall device length (cm) | GORE® DrySeal Flex Introducer Sheath size (Fr) |
|------------------|----------------------|--------------------------------|-------------------------------|------------------------------|------------------------------|---------------------------------------|----------------------------|--|
| TAC082110A       | 21                   | 16–19.5                        | 8                             | 20                           | 17                           | 3                                     | 10                         | 20   |
| TAC082610A       | 26                   | 19.5–24                        | 8                             | 20                           | 16                           | 4                                     | 10                         | 20   |
| TAC082615A       | 26                   | 19.5–24                        | 8                             | 20                           | 16                           | 4                                     | 15                         | 20   |
| TAC082810A       | 28                   | 22–26                          | 8                             | 20                           | 16                           | 4                                     | 10                         | 22   |
| TAC082815A       | 28                   | 22–26                          | 8                             | 20                           | 16                           | 4                                     | 15                         | 22   |
| TAC082820A       | 28                   | 22–26                          | 8                             | 20                           | 16                           | 4                                     | 20                         | 22   |
| TAC083115A       | 31                   | 24–29                          | 8                             | 20                           | 16                           | 4                                     | 15                         | 22   |
| TAC083120A       | 31                   | 24–29                          | 8                             | 20                           | 16                           | 4                                     | 20                         | 22   |
| TAC083415A       | 34                   | 27–32                          | 8                             | 20                           | 15                           | 5                                     | 15                         | 24   |
| TAC083420A       | 34                   | 27–32                          | 8                             | 20                           | 15                           | 5                                     | 20                         | 24   |
| TAC083715A       | 37                   | 29–34                          | 8                             | 25                           | 20                           | 5                                     | 15                         | 24   |
| TAC083720A       | 37                   | 29–34                          | 8                             | 25                           | 20                           | 5                                     | 20                         | 24   |
| TAC084015A       | 40                   | 31–37                          | 8                             | 25                           | 19                           | 6                                     | 15                         | 26   |
| TAC084020A       | 40                   | 31–37                          | 8                             | 25                           | 19                           | 6                                     | 20                         | 26   |
| TAC084515A       | 45                   | 34–42                          | 8                             | 25                           | 18.5                         | 6.5                                   | 15                         | 26   |
| TAC084520A       | 45                   | 34–42                          | 8                             | 25                           | 18.5                         | 6.5                                   | 20                         | 26   |

# GORE® TAG® Thoracic Branch Endoprosthesis

## Aortic component and aortic component delivery system



# GORE® TAG® Thoracic Branch Endoprosthesis with 12 mm portal

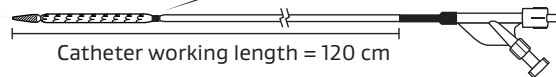
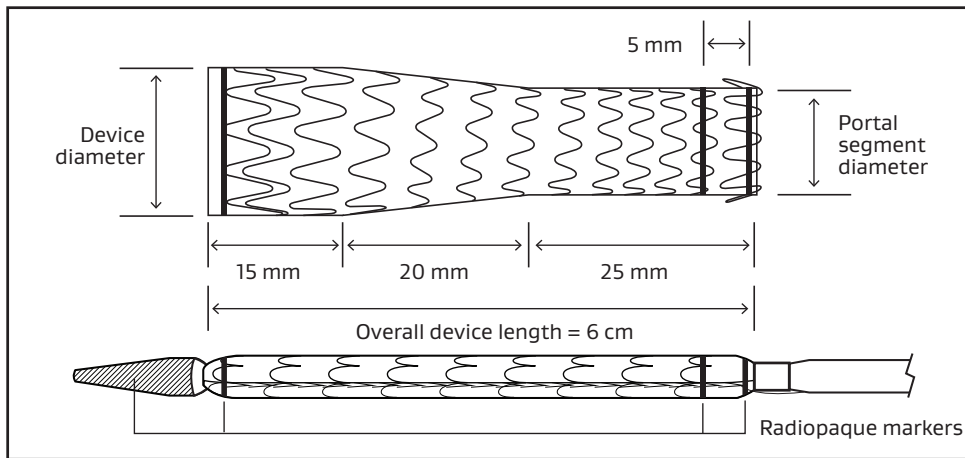
Aortic component and aortic component delivery system (continued)

## Device dimensions and sizing requirements

| Catalogue number | Device diameter (mm) | Intended aortic diameters (mm) | Internal portal diameter (mm) | Proximal segment length (mm) | Proximal covered length (mm) | Partially uncovered stent length (mm) | Overall device length (cm) | GORE® DrySeal Flex Introducer Sheath size (Fr) |
|------------------|----------------------|--------------------------------|-------------------------------|------------------------------|------------------------------|---------------------------------------|----------------------------|--|
| TAC123115A       | 31                   | 24–29                          | 12                            | 40                           | 36                           | 4                                     | 15                         | 22   |
| TAC123120A       | 31                   | 24–29                          | 12                            | 40                           | 36                           | 4                                     | 20                         | 22   |
| TAC123415A       | 34                   | 27–32                          | 12                            | 40                           | 35                           | 5                                     | 15                         | 24   |
| TAC123420A       | 34                   | 27–32                          | 12                            | 40                           | 35                           | 5                                     | 20                         | 24   |
| TAC123715A       | 37                   | 29–34                          | 12                            | 40                           | 35                           | 5                                     | 15                         | 24   |
| TAC123720A       | 37                   | 29–34                          | 12                            | 40                           | 35                           | 5                                     | 20                         | 24   |
| TAC124015A       | 40                   | 31–37                          | 12                            | 40                           | 34                           | 6                                     | 15                         | 26   |
| TAC124020A       | 40                   | 31–37                          | 12                            | 40                           | 34                           | 6                                     | 20                         | 26   |
| TAC124515A       | 45                   | 34–42                          | 12                            | 40                           | 33.5                         | 6.5                                   | 15                         | 26   |
| TAC124520A       | 45                   | 34–42                          | 12                            | 40                           | 33.5                         | 6.5                                   | 20                         | 26   |

# GORE® TAG® Thoracic Branch Endoprosthesis

Side branch component and side branch component delivery system



# GORE® TAG® Thoracic Branch Endoprosthesis

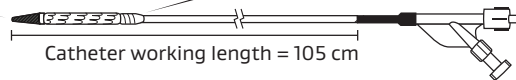
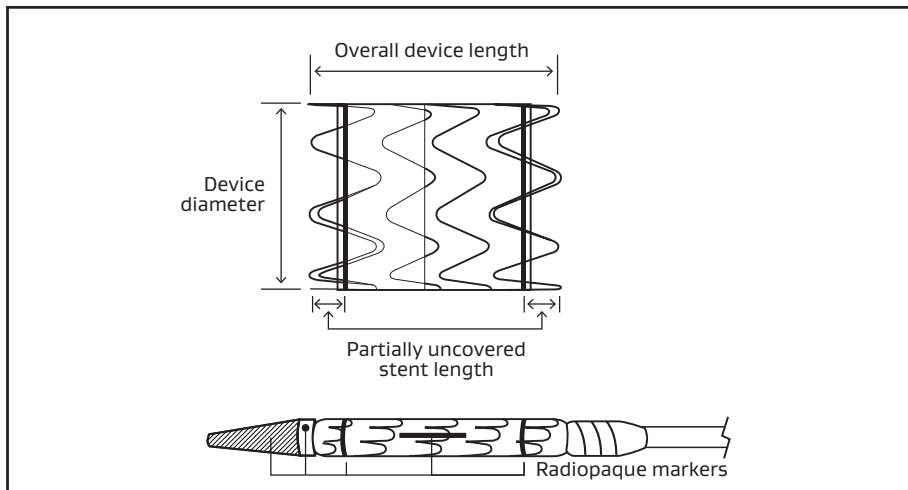
## Side branch component and side branch component delivery system

### Device dimensions and sizing requirements

| Catalogue number | Device diameter (mm) | Intended branch vessel diameter (mm) | Portal segment diameter (mm) | Overall device length (cm) | Required branch vessel length (cm) | GORE® DrySeal Flex Introducer Sheath (Fr) |
|------------------|----------------------|--------------------------------------|------------------------------|----------------------------|------------------------------------|---|
| TSB080806A       | 8                    | 6–7.5                                | 8                            | 6                          | 3                                  | 14  |
| TSB081006A       | 10                   | 7.5–9                                | 8                            | 6                          | 3                                  | 14  |
| TSB081206A       | 12                   | 9–11                                 | 8                            | 6                          | 3                                  | 14  |
| TSB081506A       | 15                   | 11–13                                | 8                            | 6                          | 3                                  | 14  |
| TSB081706A       | 17                   | 13–15                                | 8                            | 6                          | 3                                  | 14  |
| TSB121506A       | 15                   | 11–13                                | 12                           | 6                          | 2.5                                | 14  |
| TSB121706A       | 17                   | 13–15                                | 12                           | 6                          | 2.5                                | 14  |
| TSB122006A       | 20                   | 15–18                                | 12                           | 6                          | 2.5                                | 14  |

# GORE® TAG® Thoracic Branch Endoprosthesis

## Aortic Extender and Aortic Extender delivery system





# GORE® TAG® Thoracic Branch Endoprosthesis

## Aortic Extender and Aortic Extender delivery system

### Device dimensions and sizing requirements

| Catalogue number | Device diameter (mm) | Intended aortic diameters (mm) | Overall device length (cm) | Partially uncovered stent length (mm) | GORE® DrySeal Flex Introducer Sheath size (Fr) |
|------------------|----------------------|--------------------------------|----------------------------|---------------------------------------|--|
| TE2136A          | 21                   | 16–19.5                        | 3.6                        | 3                                     | 20   |
| TE2638A          | 26                   | 19.5–24                        | 3.8                        | 4                                     | 20   |
| TE2840A          | 28                   | 22–26                          | 4                          | 4                                     | 22   |
| TE3140A          | 31                   | 24–29                          | 4                          | 4                                     | 22   |
| TE3442A          | 34                   | 27–32                          | 4.2                        | 5                                     | 24   |
| TE3742A          | 37                   | 29–34                          | 4.2                        | 5                                     | 24   |
| TE4043A          | 40                   | 31–37                          | 4.3                        | 6                                     | 26   |
| TE4546A          | 45                   | 34–42                          | 4.6                        | 6.5                                   | 26   |

# GORE® TAG® Conformable Thoracic Stent Graft with ACTIVE CONTROL System

## Device dimensions and sizing requirements

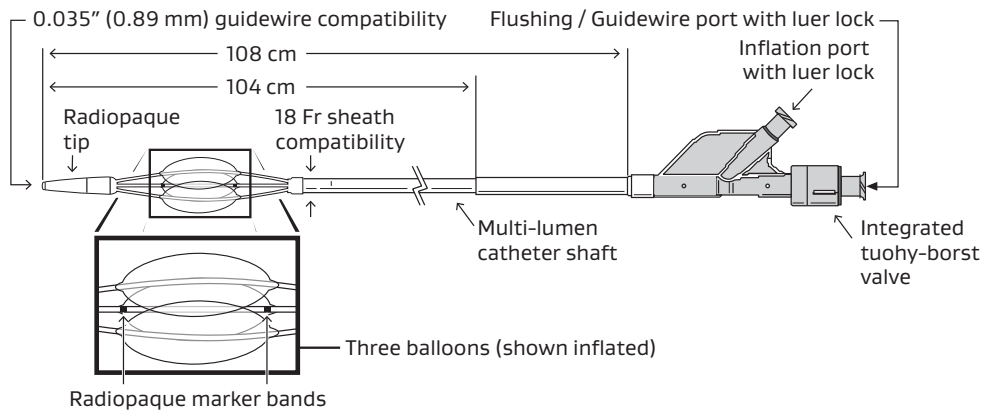
| Catalogue number | Intended aortic diameter (mm) | Proximal diameter (mm) | Distal diameter (mm) | Endoprosthesis length (cm) | Recommended GORE® DrySeal Flex Introducer Sheath size (Fr) | Partially uncovered stent length (mm) |
|------------------|-------------------------------|------------------------|----------------------|----------------------------|--|---------------------------------------|
| TGM212110        | 16–19.5                       | 21                     | 21                   | 10                         | 18   | 3                                     |
| TGM262110        | 19.5–24/16–19.5               | 26                     | 21                   | 10                         | 20   | 4                                     |
| TGM262610        | 19.5–24                       | 26                     | 26                   | 10                         | 20   | 4                                     |
| TGM282810        | 22–26                         | 28                     | 28                   | 10                         | 20   | 4                                     |
| TGM282815        | 22–26                         | 28                     | 28                   | 15                         | 20   | 4                                     |
| TGMR312610       | 24–29/19.5–24                 | 31                     | 26                   | 10                         | 20   | 4                                     |
| TGMR313110       | 24–29                         | 31                     | 31                   | 10                         | 20   | 4                                     |
| TGMR313115       | 24–29                         | 31                     | 31                   | 15                         | 20   | 4                                     |
| TGMR313120       | 24–29                         | 31                     | 31                   | 20                         | 20   | 4                                     |
| TGM343410        | 27–32                         | 34                     | 34                   | 10                         | 22   | 5                                     |
| TGM343415        | 27–32                         | 34                     | 34                   | 15                         | 22   | 5                                     |
| TGM343420        | 27–32                         | 34                     | 34                   | 20                         | 22   | 5                                     |
| TGMR373710       | 29–34                         | 37                     | 37                   | 10                         | 22   | 5                                     |
| TGMR373715       | 29–34                         | 37                     | 37                   | 15                         | 22   | 5                                     |
| TGMR373720       | 29–34                         | 37                     | 37                   | 20                         | 22   | 5                                     |
| TGMR404010       | 31–37                         | 40                     | 40                   | 10                         | 22   | 6                                     |
| TGMR404015       | 31–37                         | 40                     | 40                   | 15                         | 22   | 6                                     |
| TGMR404020       | 31–37                         | 40                     | 40                   | 20                         | 22   | 6                                     |
| TGM454510        | 34–42                         | 45                     | 45                   | 10                         | 24   | 6.5                                   |
| TGM454515        | 34–42                         | 45                     | 45                   | 15                         | 24   | 6.5                                   |
| TGM454520        | 34–42                         | 45                     | 45                   | 20                         | 24   | 6.5                                   |

## GORE® DRYSEAL Flex Introducer Sheath

### GORE® DRYSEAL Flex Introducer Sheath

| Catalogue number | Sheath size (Fr) | Outer diameter (mm) | Sheath working length (cm) |
|------------------|------------------|---------------------|----------------------------|
| DSF2033          | 20               | 7.5                 | 33                         |
| DSF2065          | 20               | 7.5                 | 65                         |
| DSF2233          | 22               | 8.2                 | 33                         |
| DSF2265          | 22               | 8.2                 | 65                         |
| DSF2433          | 24               | 8.8                 | 33                         |
| DSF2465          | 24               | 8.8                 | 65                         |
| DSF2633          | 26               | 9.5                 | 33                         |
| DSF2665          | 26               | 9.5                 | 65                         |

# GORE® Tri-Lobe Balloon Catheter



## Device dimensions and sizing requirements

| Catalogue number | Size (Fr) | Inner vessel diameter size | Working length (cm) |
|------------------|-----------|----------------------------|---------------------|
| BCM1634C         | 18        | Aortic diameters 16–32 mm  | 104                 |
| BCL2648C         | 18        | Aortic diameters 26–42 mm  | 104                 |





Consult Instructions  
for Use

[eifu.goremedical.com](https://eifu.goremedical.com)

Refer to *Instructions for Use* at [eifu.goremedical.com](https://eifu.goremedical.com) for a complete description of all applicable indications, warnings, precautions and contraindications for the markets where this product is available.  $\text{Rx}_{\text{Only}}$

Products listed may not be available in all markets.

GORE, *Together, improving life*, DRYSEAL, TAG and designs are trademarks of W. L. Gore & Associates.

© 2022 W. L. Gore & Associates, Inc. 22611802-EN JUNE 2022

---

**W. L. Gore & Associates, Inc.**

[goremedical.com](https://goremedical.com)

**Asia Pacific** +65 67332882

**Australia/New Zealand** 1800 680 424

**Europe** 00800 6334 4673

**United States** Flagstaff, AZ 86004 800 437 8181 928 779 2771

